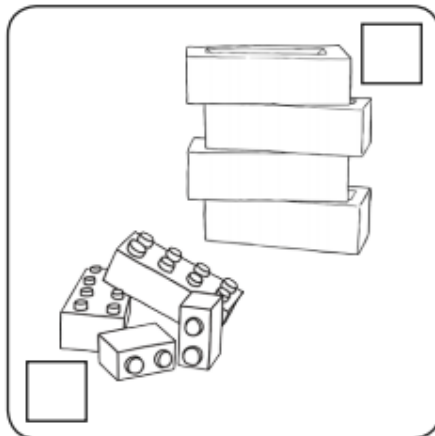
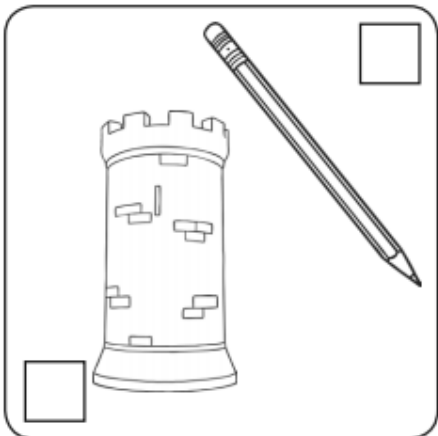
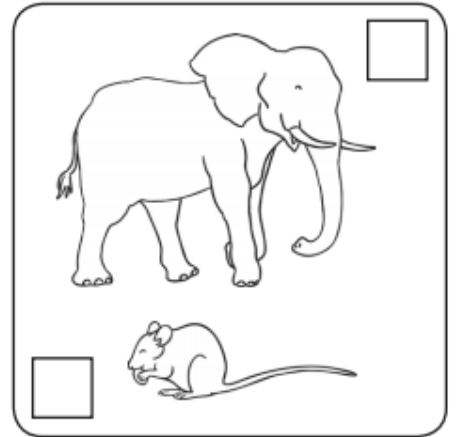
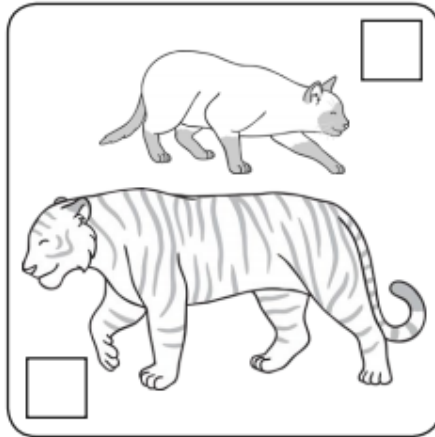
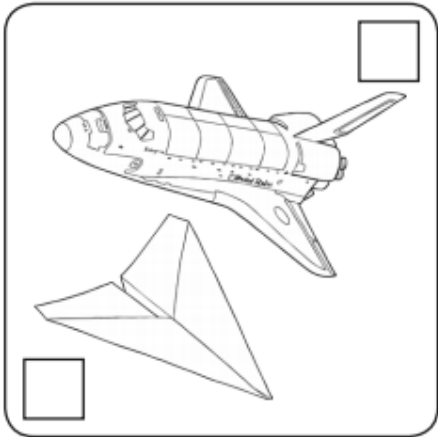


Name: _____

Date: _____

WEIGHT

Colour the object that is the lightest.



Colour the object that is the heaviest.

